

PROTECTIMUS

Protectimus SHARK

An unbreakable hardware OTP token

A classic TOTP security token that fits on a keychain. The Protectimus SHARK MFA token device generates time-based one-time passwords following the TOTP OATH standard, with added security thanks to support for the SHA-256 algorithm.



Protectimus Limited
Carrick house, 49 Fitzwilliam Square,
Dublin D02 N578, Ireland





PROTECTIMUS

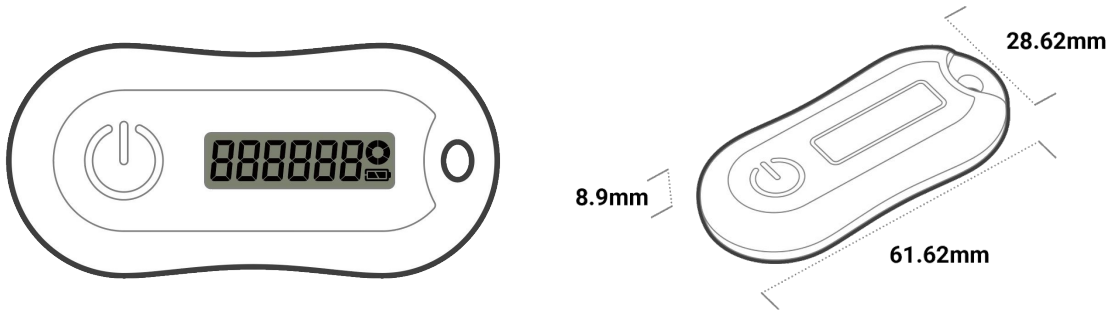
Protectimus SHARK

An unbreakable hardware OTP token



Protectimus SHARK

Technical Specification



The warranty period is 12 months

Weight	16.1 g
Display	LCD 6 digits / 8 digits (Optional)
Algorithm	OATH compliant time based TOTP / OATH compliant event based HOTP (Optional)
Cryptographics	SHA-256
Time Interval	30 seconds
Operating Temperature	0°C - 40°C (32°F - 104°F)
Short Storage Temperature	-10°C - 45°C (14°F - 113°F)
Humidity	0 - 90% without condensation
Battery	3-5 years
Material	PC+ABS
Physical Resistance	Tamper evident IP68, IP65

Key Features

Secure

- Strong hardware two-factor authenticator that supports dynamic password technology
- Compliant with OATH standards
- Easy to be integrated with 3rd party OATH authentication systems
- PSKC format of seed files is available
- Seed files are stored encrypted and reliably protected

Easy to use and portable

- Simple one-click generation of one-time-passwords
- Independent of the end-user environment
- No external connection is required
- Zero software install at client's side
- Minimum change to the existing password authentication system
- Secure, robust and long life hardware design



Protectimus SHARK

An unbreakable hardware OTP token

LCD display with a countdown timing bar

One built-in button



Non-replaceable built-in battery

Battery charge indicator

Secure Random Access Memory (RAM)



Unique token serial number

Onboard clock or event counter



PROTECTIMUS

www.protectimus.com
sales@protectimus.com

High-strength, water-resistant hardware OTP tokens

Safety and reliability

TOTP algorithm ensures that OTP passwords have a short validity period of 30 or 60 seconds. After this time, the OTP password won't work, which reduces the risk of its use in the case of interception by an attacker.

Strength and water resistance

The Protectimus TWO OTP token is fully protected against dust, and is water resistant. It can operate even when submerged in water to a level of up to 1 m. A construction using durable rubberized plastic protects the token from being damaged in the event of a fall.

Ergonomic design

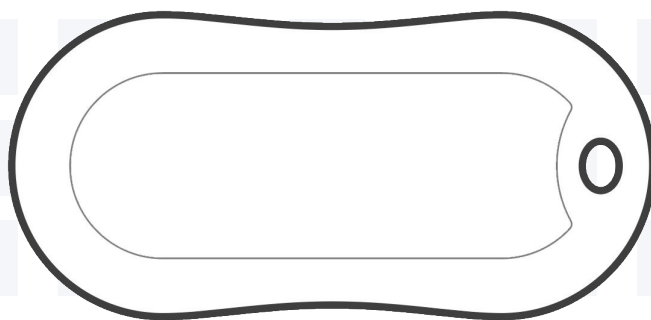
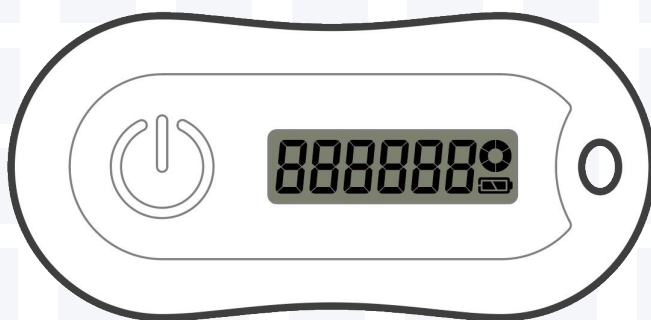
The Protectimus TWO TOTP hardware token comes in the form of a stylish key fob, so it is convenient to carry on a key ring, which virtually eliminates the possibility of losing of the OTP device.

The best choice for:

1. Corporate use with Protectimus multi-factor authentication service.
2. Corporate use if you can add the secret keys to the authentication system you use.



1. Press the button, the One-Time-Password code will appear on the screen.
2. The screen may go off because of the expiration of the OTP interval (i.e. 30 or 60 seconds), you can press the button again to generate a new code.
3. Input the code to the web page or application.
4. The screen will go off automatically once the code expires.
5. You can also close the screen, just press the button.





PROTECTIMUS

www.protectimus.com
sales@protectimus.com

White-Labeling and Delivery Options

Protectimus can offer a comprehensive white-label solution.

Depending on your preference, we can place your company's logo and other visual features on the device; you can also choose the color of your token. Producing customized tokens based on your specific requirements takes additional 3-4 weeks.

Flexible customization options

- Customizable 6 or 8 digits OTP
- Customizable algorithm
- Customizable OTP lifetime
- Faceplate, casing color and serial number are customizable

Possibility of branding for orders of 1000+ pieces.

The price of tokens does not include shipping and delivery costs and other additional charges, such as taxes and customs duties.

Delivery times depend on several factors, in particular: lot/consignment size, token availability at our warehouse, and postal service. Besides, the delivery time will depend on whether additional visual features need to be placed on the products. Typically, if there is a sufficient quantity of products at the warehouse, orders are delivered within 2 to 6 weeks.

How to buy?

You can easily become a happy owner of this device. To place an order, please, fill out the form on our website or write an email to sales@protectimus.com, and our specialist will contact you promptly.

